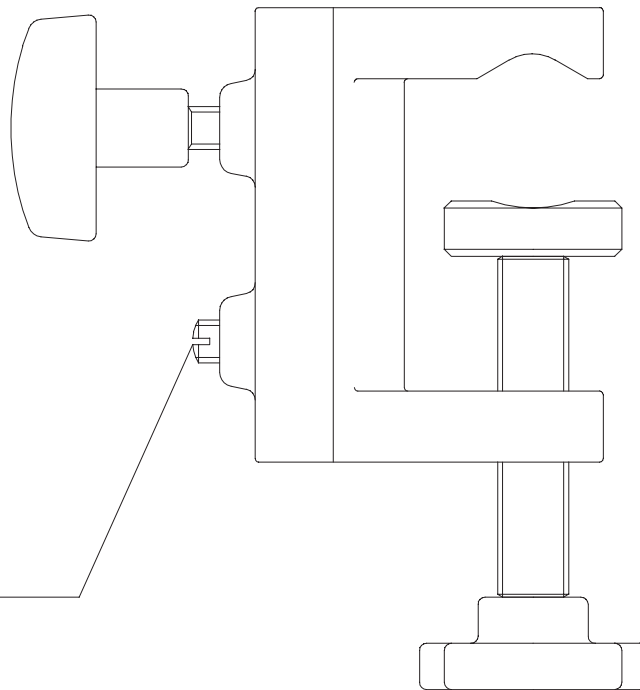
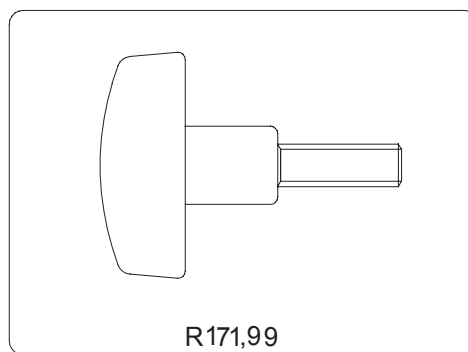


2005-09-30



R3,0020
set of 5



R171,99