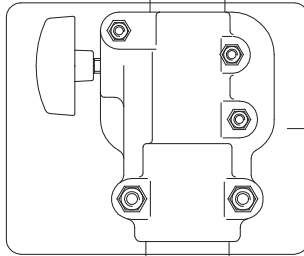
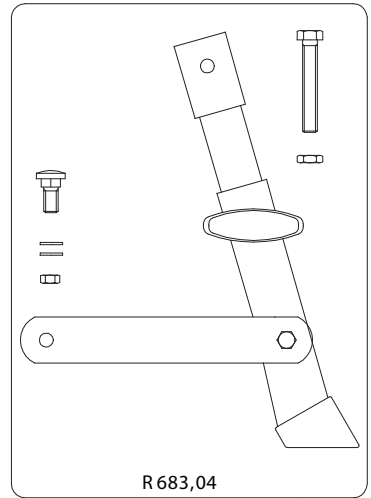
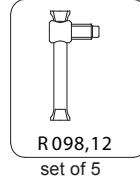
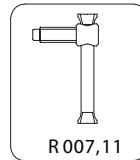
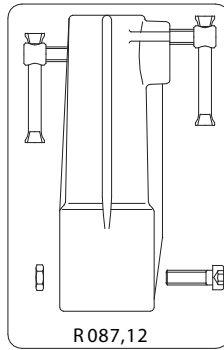
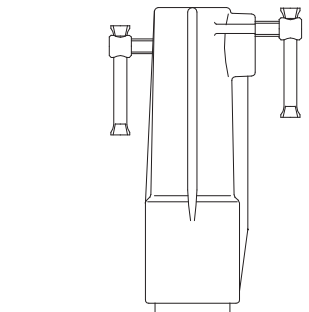
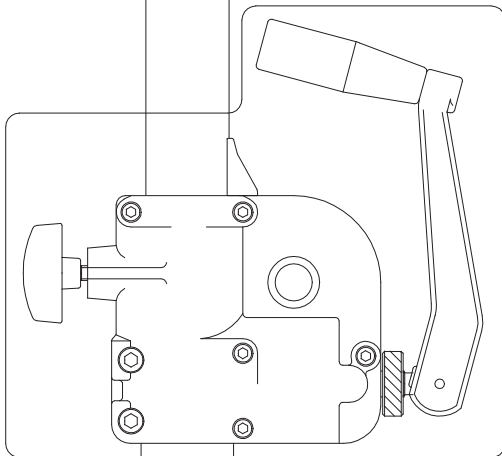
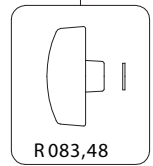


2005-09-30



FOR 3rd SCT
SPARE LIST
SEE DRAWING:
ART.
R687,01



FOR GEARED COLUMN
SPARE LIST
SEE DRAWING:
ART.
R687,44

FOR CRANKCASE
SPARE LIST
SEE DRAWING:
ART.
R083,72

